

PRO24 - Split Core CT

The PRO CT series offers a range of split core current transformers designed for installation into existing plants where removal of busbars/cable lugs prevent installation of standard current transformers. To measure a.c. primary currents and produce a proportional secondary current.

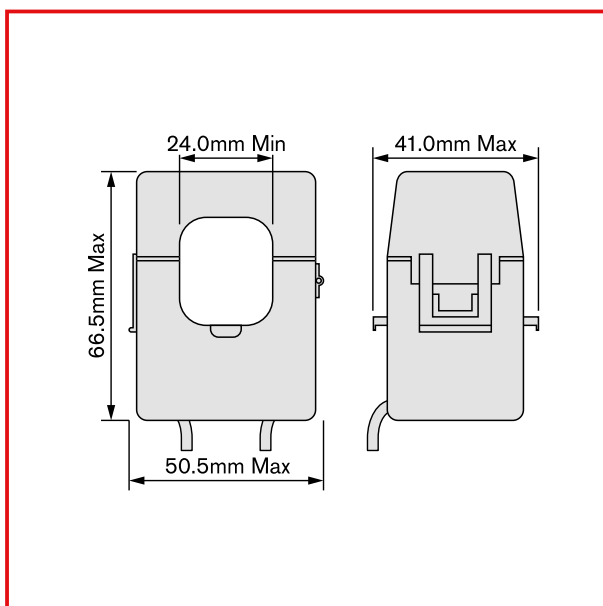
PRO24

- Primary current: 100 to 300A
- 24mm cable aperture
- Integral 1m cable
- Snap together housing

All our Current Transformers come with a **5 year** warranty.



Dimensions:



Current Transformer Ratios:

Article No	Ratio	Class	Burden
7010 PRO24-CT5-100c	100/5	0.5	1.5VA
7019 PRO24-CT5-150c	150/5	0.5	1.5VA
7012 PRO24-CT5-200c	200/5	0.5	1.5VA
7013 PRO24-CT5-250c	250/5	0.5	1.5VA
7014 PRO24-CT5-300c	300/5	0.5	1.5VA

blue = in stock

Inepro of Holland

PRO36 - Split Core CT

The PRO CT series offers a range of split core current transformers designed for installation into existing plants where removal of busbars/ cable lugs prevent installation of standard current transformers. To measure a.c. primary currents and produce a proportional secondary current.

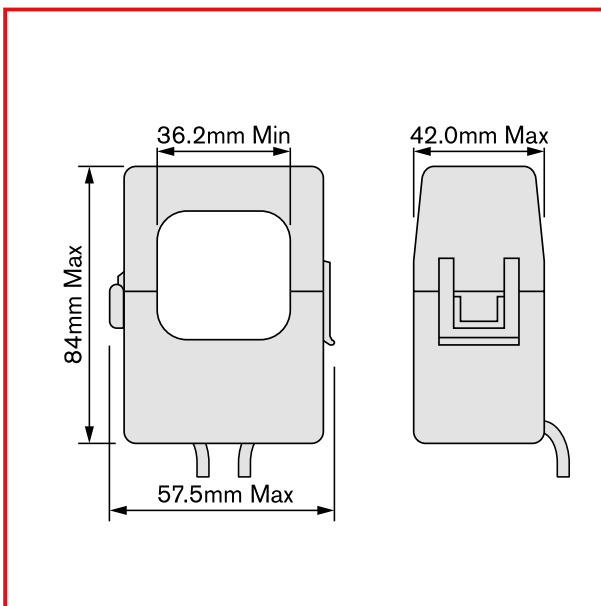
PRO36

- Primary Current : 250 to 600A
- 36mm cable aperture
- Integral 1m cable
- Snap together housing

All our Current Transformers come with a **5 year** warranty.



Dimensions:



Current Transformer Ratios:

Article Number	Ratio	Class	Burden
PRO36-CT5-250c	250/5	0.5	2VA
PRO36-CT5-300c	300/5	0.5	2VA
7017 PRO36-CT5-400c	400/5	0.5	2VA
7018 PRO36-CT5-600c	600/5	0.5	2VA

blue = in stock

Inepro of Holland