

Electric Bolt Lock Manul

1. Function Specification

The lock's work voltage is 12VDC or 24VDC, lock bolt with self-locking feature. There are door sensor and lock bolt sensor in the lock, it is convenience to monitor status of lock and door. It also with time delay function.

2. Installation and instructions

2.1 Please read the manul before install, and check the accessories if complete or not.

2.2 The lock be made of magnet plate and lock. the gap between magnet plate and bolt is less than 3mm

2.3 There are red, black, blue, white, yellow, green, gray, orange, purple 9wires (figure1). 12VDC wiring (figure 2-B); 24VDC wiring (figure 2-A). blue, white, yellow are lock bolt sensor output wires, blue (NO), white (COM), yellow (NC) (figure 3-A). gray, orange, green are door sensor output wires, green (NO), gray (COM), orange (NC) (figure 3-B).

2.4 Lock circuit installation (figure 2-A), red to DC24V +, black and purple to DC24V - ; (figure 2-B) red to DC12V +, black to DC12V - .

2.5 Time delay adjustment. It is located in the middle of lock (figure 4). it is 0,3,6sec.

2.6 Installation (figure 5)

3. Parameters

Lock size: 200L*28W*39H mm

Bolt : 12.5mm Dia, 15±1 mm stainless steel bolt length

Work voltage: DC12V±%

Start current: 1100mA, standby current: 140mA

Times delay: 0,3,6sec

4. Accessories

Iron plate 2 pcs

Magnet plate :90L*24W*3H mm(1 pcs)

Screw: M5*15mm 5pcs; M4*11mm 5pcs

Narrow Type Electric Bolt Lock

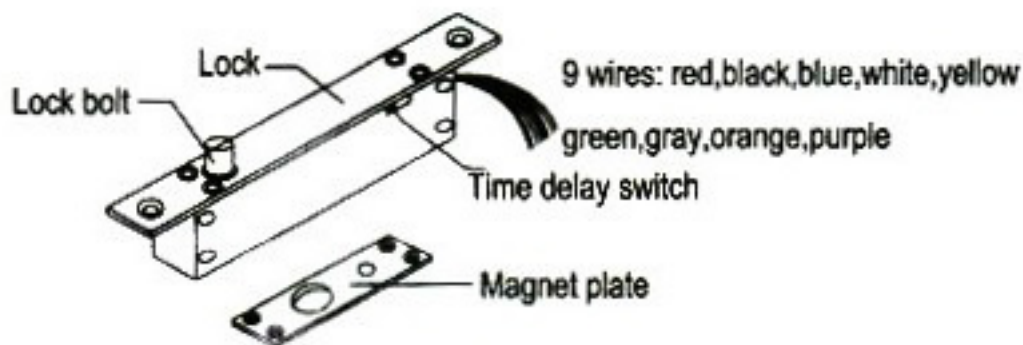


Figure 1

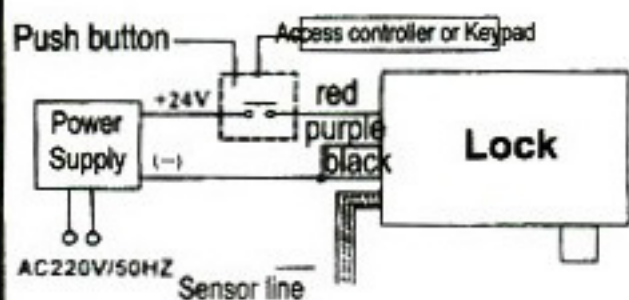


Figure 2-A

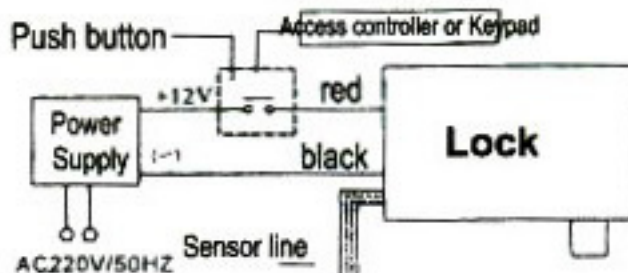


Figure 2-B

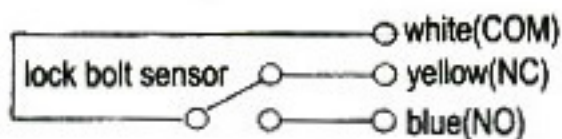


Figure 3-A

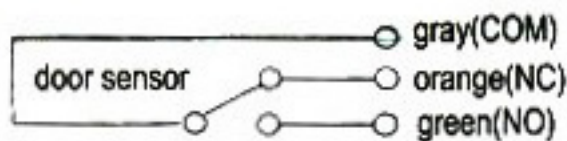


Figure 3-B

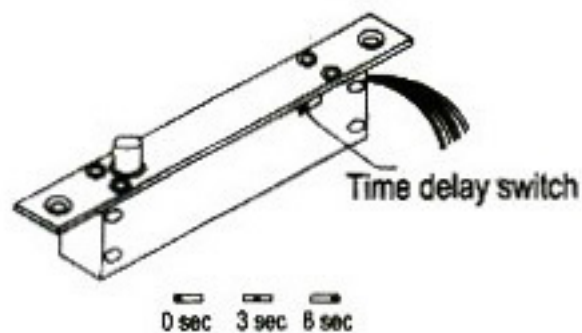


Figure 4

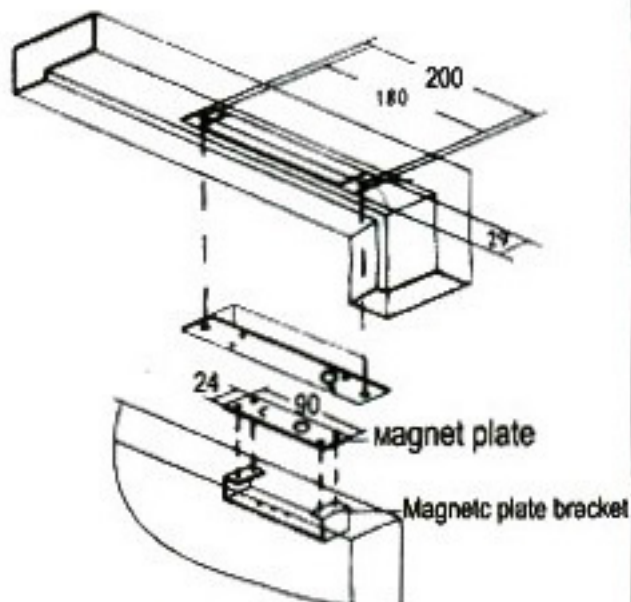


Figure 5