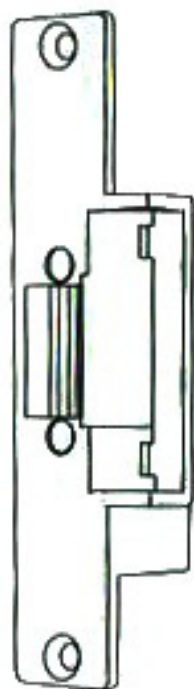
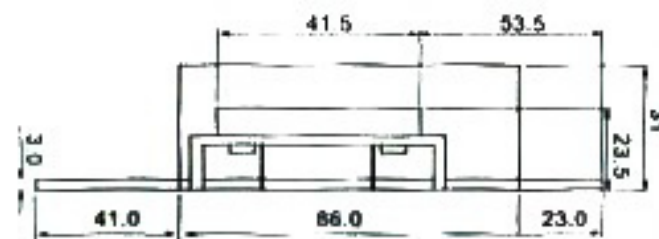
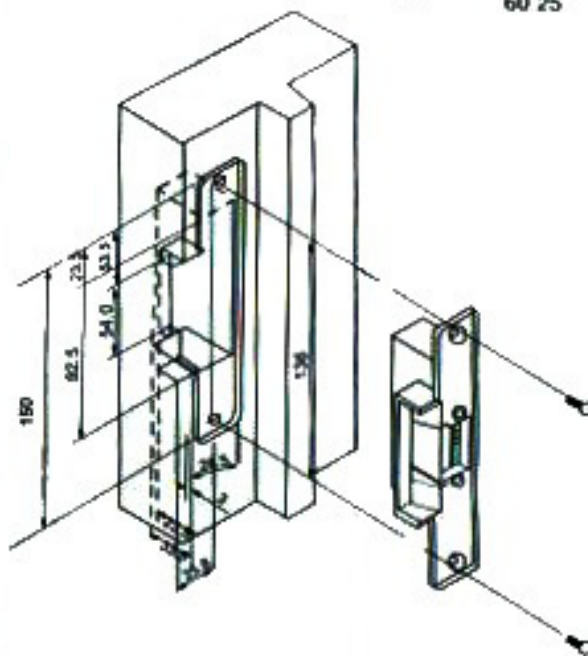
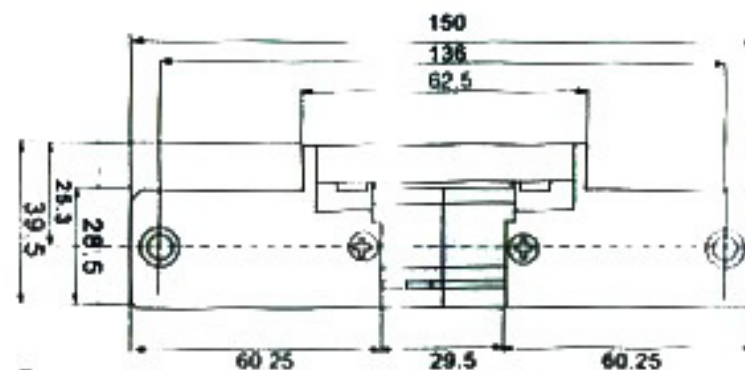


ELECTRIC STRIKE



INSTALLATION



SPECIFICATION

FACE PLATE: 150Lx39.5Wx31H(MM)

VOLTAGE: 12VDC

CURRENT: 450mA

200mA

FEATURE: FAIL SECURE(NO)

FAIL-SAFE(NC)